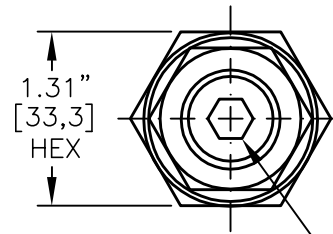
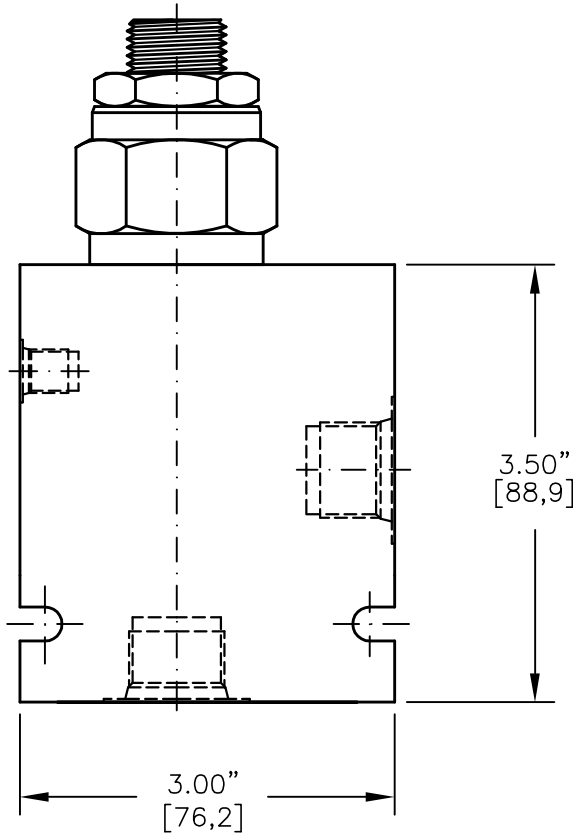
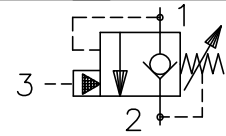
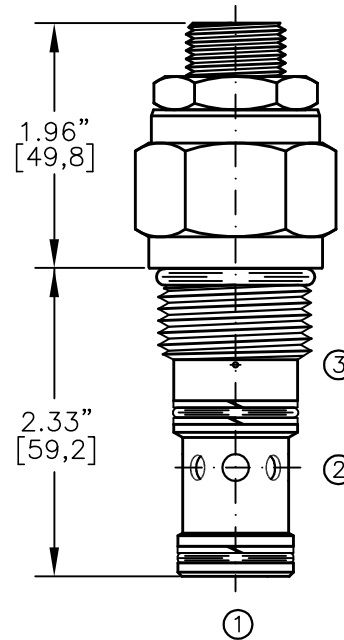




COUNTERBALANCE VALVE POPPET TYPE WITH FREE REVERSE FLOW.



.315" [8,0] HEX.
TORQUE to 70/75 Ft-Lb.
[95/100 N-m]



FOR ALUMINUM OR STEEL VALVE HOUSING CONFIGURATIONS SEE PAGE 0-023-1.

CBPA-12-X-X-X-XX

BASIC

SIZE

12 = 1.062"-12 UNF

SEALS

N = BUNA "N"
V = VITON

ADJUSTMENT

S = ADJUSTING SCREW
C = CAPPED
T = TAMPERPROOF

PRESSURE RANGE

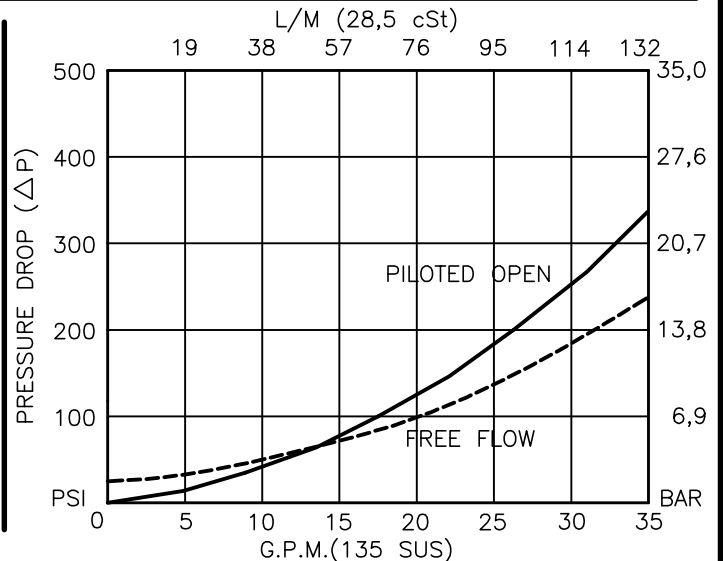
15 = 100 TO 1500 PSI
30 = 300 TO 3000 PSI
40 = 600 TO 4000 PSI

PORTS

0 = CARTRIDGE ONLY
04BX = G 1/2" BSPP
06BX = G 3/4" BSPP
10TX = SAE - #10
12TX = SAE - #12

"A" - ALUM. HOUSING
"S" - STEEL HOUSING

FOR ADJUSTMENT CONTROL
OPTIONS SEE PAGE 0-050.0





COUNTERBALANCE VALVE POPPET TYPE WITH FREE REVERSE FLOW.

DESCRIPTION

This unit is a DIRECT ACTING, SCREW IN CARTRIDGE STYLE, POPPET TYPE, ADJUSTABLE, PILOT ASSISTED, HYDRAULIC COUNTERBALANCE VALVE.

OPERATIONS

This valve controls moving load and preventing it from running ahead of the pump, locking the load in any position, it also provides static overload and thermal expansion protection.

This valve is a MODULATING DEVICE that allows free flow from port 2 to port 1 and then blocks reverse flow until a pilot pressure INVERSELY PROPORTIONAL to the load pressure is sensed at port 3 modulating flow from port 1 to port 2.

FEATURES AND BENEFITS

Leakproof screw adjustment.

Adjustment screw can not be backed out of the valve.

Overset protection – spring can not go solid.

Hardened precision fitted poppet & cage provides reliable, long life.

A unibody cage construction and with no dynamic seals on all moving parts provides very low hysteresis (1.5%) and reliable operation.

Minor internal leakage past the pilot piston purges the air from the pilot line thus improving stability.

All external carbon steel parts are plated for longer life against the elements.

Valve is available with screw, tamperproof, and capped adjustments.

All cartridge valves are 100% functionally tested.

SPECIFICATIONS

OPERATING PRESSURE: 4,000 PSI [276 Bar]

PROOF PRESSURE: 10,000 PSI [700 Bar]

FLOW: 35.0 GPM [132 L/M] nominal. See performance chart.

PILOT RATIO: 4 to 1

INTERNAL LEAKAGE: 5 drops/min @ 90% of crack pressure.

DEFINITION OF CRACK: evident at 0.06 GPM [0.25 LPM]

VALVE HOUSINGS: 2500 PSI [175 Bar] = Aluminum – Anodized.

5000 PSI [350 Bar] = Steel – Unplated.

OPERATING TEMPERATURE: -40° to +250° F. [-40° to +120° C.]

OPERATING MEDIA: All general purpose hydraulic fluids such as MIL-H-5606, SAE-#10, SAE-#20, etc.

INSTALLATION: No restriction.

FILTRATION: 25 microns or better.

SEAL KIT NUMBER: SKN-1228 for Buna "N".

SKV-1228 for Viton.

WEIGHT: 0.84 lb [0,38 kg] cartridge only.

VALVE CAVITY: #C1225, See Page 0-023.0.